



ARIES

LABORATORY WATER SYSTEM

SYSTEM OVERVIEW

The ARIES High Purity Water System provides up to 4.0 liters per minute of 18.2 megohm water. A quiet recirculation pump ensures constant water purity. Standard equipment includes a built in pressure regulator and a 0.2 micron final filter to remove bacteria. Water quality meets or exceeds ASTM Type I water specifications.

This attractive compact unit can be free standing or wall mounted. Resistivity is temperature compensated and continuously monitored on the digital display. Filters are easy to replace and require no tools. High capacity cartridges require less frequent change outs and lower operating costs.

A variety of options are available including: remote dispensing gun, 0.05 micron hollow fiber UF filter, and combination high-purity/sub-micron cartridge Reverse Osmosis pretreatment systems are also available.

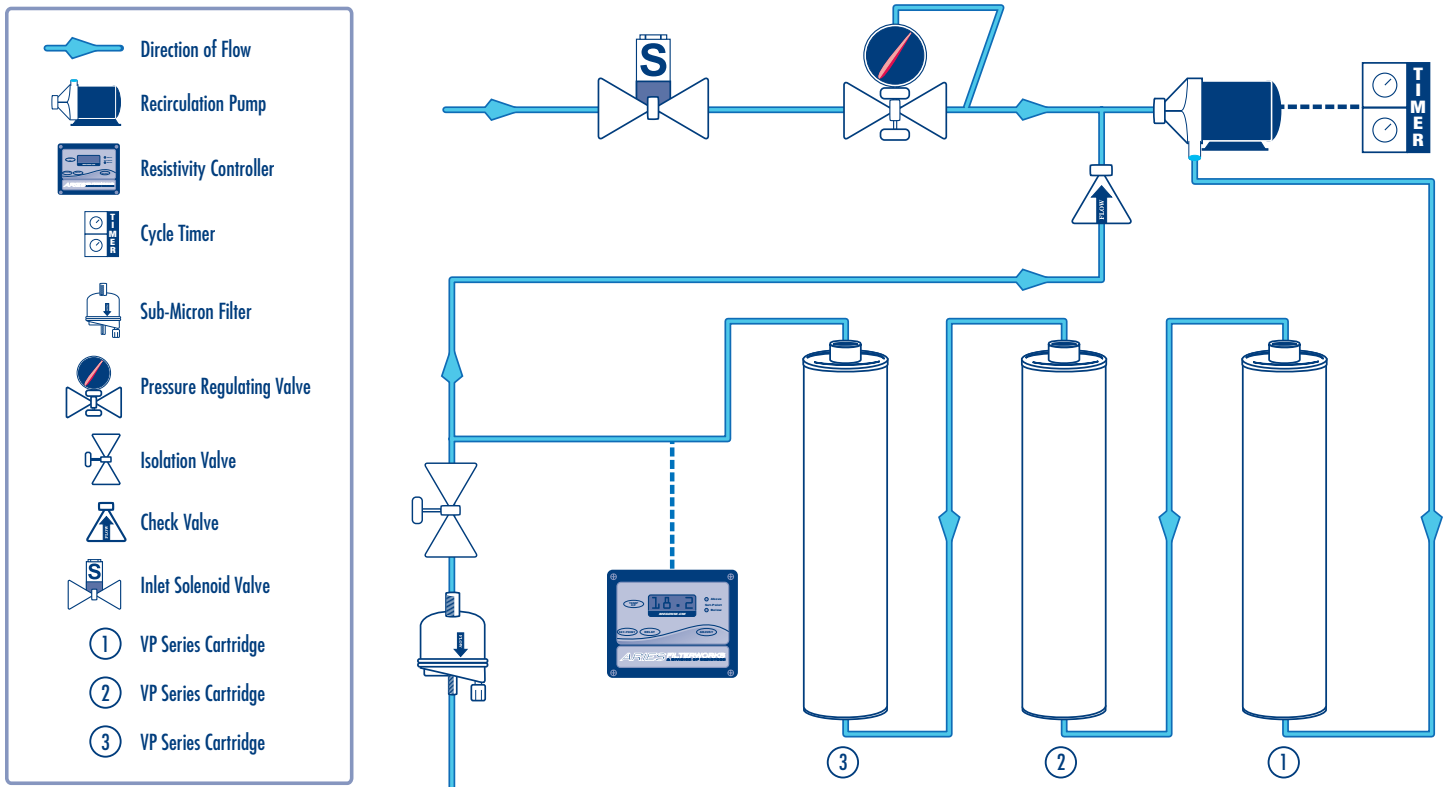
FEATURES & BENEFITS

- 18.2 Megohms
- Up to 4.0 liters per minute
- Built in pressure regulator
- 0.2 micron final filter
- Fully recirculating
- Easy cartridge replacement
- Exceeds ASTM Type I water specifications
- Low Operating Costs



- Type I Water System
- Quiet Operation
- Low Operating Costs

FLOW DIAGRAM

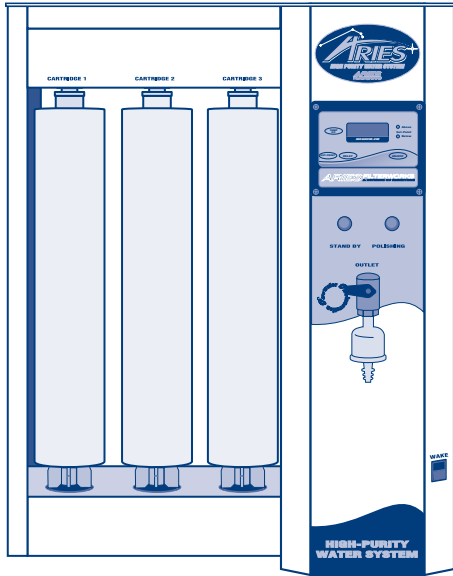


A DIVISION OF RESINTECH, INC.

120806rev2

ARIES LABORATORY WATER SYSTEM

TECHNICAL DATA



Dimensions (H x W x D)	25 in. x 23 in. x 8.5 in. (64 cm x 59 cm x 22 cm)
Weight	32 lbs dry / 38 lbs operating (14.5 kg dry / 17.3 kg operating)
Connections	Inlet 3/8" Tube Outlet 1/4" FNPT
Power Requirements	120 VAC/ 60 Hz @ 5.0 amp
Pressure (Max./Min.)	60 psig/20 psig
Temperature (Max.)	100°F
Flow Rate	4.0 lpm (1.1 GPM) 2.0 lpm (0.53 GPM)*

* w/ capsule filter

INFLUENT QUALITY

Source	Reverse Osmosis, DI, or Distillation
Purity	< 20 uS/cm
Filtration	0.2 micron
Free Chlorine	< 0.05 ppm
Silica	< 2 ppm
TOC	< 50 ppb

ORDERING GUIDE

ARIES-1102	110 VAC Unit (no cartridges, 0.2 micron Capsule included)
ARIES-1102D	Aries HP Loop (direct feed), 110 VAC (no cartridges, 0.2 micron Capsule included)
ARIES-1105	110 VAC Unit (no cartridges, 0.05 micron Hollow Fiber included)
ARIES-1105D	Aries HP Loop (direct feed), 110 VAC (no cartridges, 0.2 micron Capsule included)

EFFLUENT QUALITY

Standard System	
Purity	> 18 Megohm- cm
Microorganisms	< 10 CFU / mL
Chlorides	< 1 ppb
Sodium	< 1 ppb
With 0.05 micron UF	
Endotoxin	< 0.03 EU

OPTIONS & ACCESSORIES

HPA-001	Dispensing Gun and tubing kit
HPA-002	UV Combination for Bacteria and TOC
HPA-008	220 VAC External Power Converter
VP-17-4010	High Purity Mixed Bed Cartridge
VP-17-4011	High Purity / Low TOC Mixed Bed Cartridge
VP-17-4090	Organics Removal Cartridge
PF-00-6402	0.2 micron capsule filter
PF-00-6505-HN	0.05 micron hollow fiber UF filter
HPL-RO	Reverse Osmosis Pretreatment

Note: Ordering information subject to change without notice. Please verify all specifications prior to ordering.

For more information Call: (856) 768-9600.

MANUFACTURED IN THE USA.

IMPORTANT NOTICE TO USER:

The following is made in lieu of all other warranties expressed or implied. Manufacturer's and Seller's only obligation shall be to issue credit against the purchase or replacement of the equipment proved to be defective in material or workmanship. Neither Manufacturer nor Seller shall be liable for any injury, loss or damage, direct or indirect, special or consequential, arising out of the use of, misuse, or the inability to use such product. The information contained herein is based on technical data and tests which we believe to be reliable and is intended for use by persons having technical skill at their discretion and risk. Since conditions of use are outside ResinTech's control, we can assume no liability whatsoever for results obtained or damages incurred through the application of the data presented. This information is not intended as a license to operate under, or a recommendation to infringe upon, any patent of ResinTech's or others covering any material or use. The foregoing may not be altered except by written agreement signed by officers of the Manufacturer.