



HYDRA – DI SERIES

HIGH PURITY WATER SYSTEM

SERIES OVERVIEW

The Hydra D.I Series is a pre-assembled cartridge system that provides deionized water using a staged filtration process. Water purification is provided using a 3-step process. Stage (1) removes particles greater than 5 micron, chlorine, and organics. Stages (2 & 3) are mixed bed deionizers designed to remove all dissolved minerals. The Hydra D.I. series includes all cartridges and resistivity light for a total turnkey system.

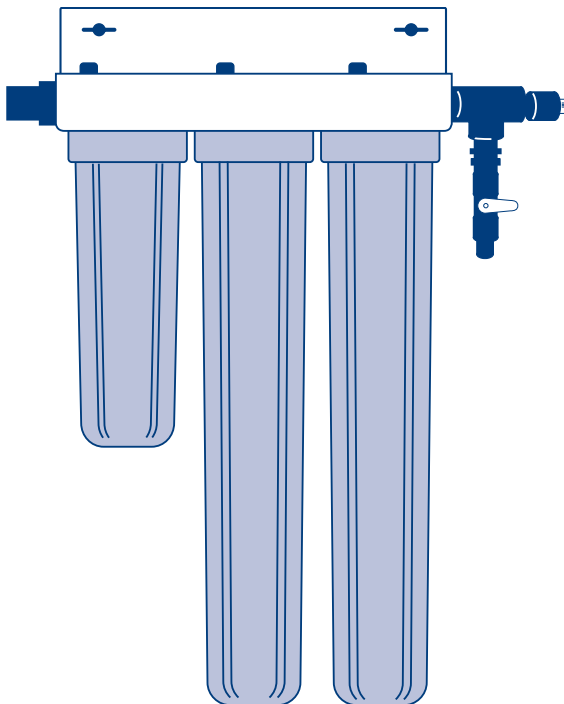
FEATURES & BENEFITS

- Turn-key system for low cost – on demand service.
- 200 Kilo-Ohm Resistivity Light included for visual indication of cartridge replacement.
- Designed for city water & tap water supply.
- Available in 2-1/2" and 4-1/2" diameter (Big Blue Style) configurations.
- Left and Right sides models for convenient installation.
- Outlet Isolation valve, spanner wrench, and associated tubing provided.



- Wall mounted
- 200 Kilo-Ohm Resistivity
- Low Cost

TECHNICAL DATA



Inlet	3/8" Tube Fitting
Outlet	1/2" Hose Barb
Max Pressure	100 PSI (10 PSI Min.)
Max Temp.	100°F
Voltage	100 VAC
Resistivity Light	200 KΩ
Filter Housing	Polypropylene
Bracket	Painted Steel

A DIVISION OF RESINTECH, INC.

120806rev2

HYDRA – DI SERIES • HIGH PURITY WATER SYSTEM

ORDERING GUIDE

Hydra Series Pre-Assembled Deionization Systems		Weight (lbs.)
PART NUMBER	DESCRIPTION	
HY-122-DI	3-Stage Deionization System - 2-1/2" Diameter (10" Carbon Blk, (2) 20" Mixed Bed, & D.I. Light)	25
HY-122B-DI	3-Stage Deionization System - 4-1/2" Diameter (10" Carbon Blk, (2) 20" Mixed Bed, & D.I. Light)	58

Hydra Series Deionization Systems - Accessories		
PART NUMBER	DESCRIPTION	
HYK-001	Cartridge Replacement Kit for HY-122-DI (10" Carbon Blk, (2) 20" Mixed Bed) - 2-1/2" Diameter	12
HYK-002	Cartridge Replacement Kit for HY-122-DI (10" Carbon Blk, (2) 20" Mixed Bed) - 4-1/2" Diameter	19
CP-001	20 KiloOhm resistivity light	
CP-003	200 KiloOhm resistivity light	
CP-002	2 MegaOhm resistivity light	
CP-006	2-1/2" Spanner Wrench (Slim Style)	
CP-007	4-1/2" Spanner Wrench (Super Blue Style)	

SPECIFICATIONS

Model	H (in.)	W (in.)	D (in.)	Bowl Dia. (in.)	Flow (gpm)	Total Capacity (Grains as CaCO ₃)
Hydra 122 – D.I.	24	20	6	2-1/2"	0.5	1,800
Hydra 122B – D.I.	27	36	9	4-1/2"	1.25	4,760

For specialty applications, Hydra systems are available with Aries Specialty Cartridges selected separately. Please use Hydra data sheet.

NOTES

Note: Ordering information subject to change without notice. Please verify all specifications prior to ordering. For more information Call: (856) 768-9600.

MANUFACTURED IN THE USA.

IMPORTANT NOTICE TO USER:

The following is made in lieu of all other warranties expressed or implied. Manufacturer's and Seller's only obligation shall be to issue credit against the purchase or replacement of the equipment proved to be defective in material or workmanship. Neither Manufacturer nor Seller shall be liable for any injury, loss or damage, direct or indirect, special or consequential, arising out of the use of, misuse, or the inability to use such product. The information contained herein is based on technical data and tests which we believe to be reliable and is intended for use by persons having technical skill at their discretion and risk. Since conditions of use are outside ResinTech's control, we can assume no liability whatsoever for results obtained or damages incurred through the application of the data presented. This information is not intended as a license to operate under, or a recommendation to infringe upon, any patent of ResinTech's or others covering any material or use. The foregoing may not be altered except by written agreement signed by officers of the Manufacturer.